

For reference only. See data sheet for the detailed specifications.

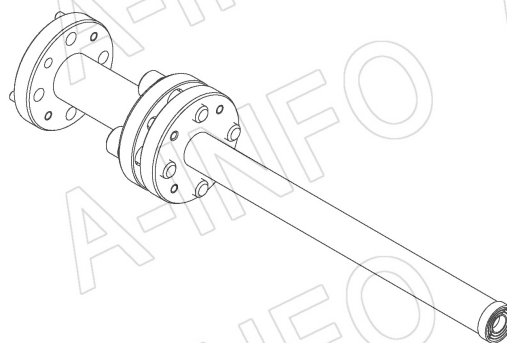
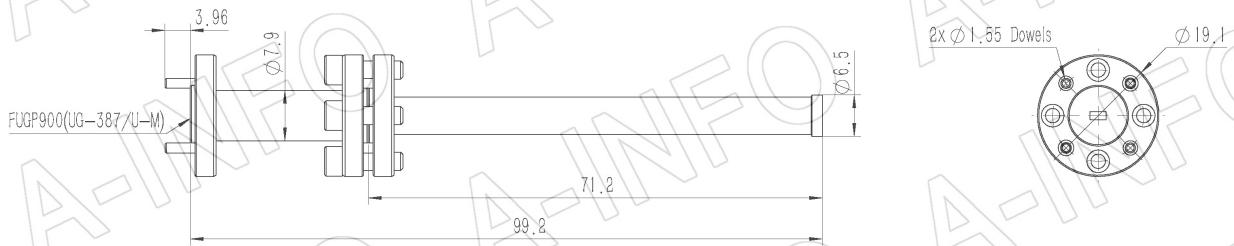
## Technical Specification



Frequency Range(GHz)	75.0 – 110.0	
Waveguide	WR10	
Gain(dBi)	10 Typ.	
Polarization	Linear	
3dB Beamwidth(deg)	E Plane:	56 Typ.
	H Plane:	60 Typ.
10dB Beamwidth(deg)	E Plane:	107 Typ.
	H Plane:	112 Typ.
Cross Pol. Isolation(dB)	40 Typ.	
VSWR	A Type:	1.20:1 Typ.
	C Type:	1.40:1 Typ.
Output	A Type:	FUGP900(UG-387/U-M)
	C Type:	1.0mm-Female
Material	Cu	
Finish	Gold Plated	
Size(mm)	A Type:	19.1 x 19.1 x 99.2
	C Type:	19.1 x 25 x 124.6
Net Weight(Kg)	A Type:	0.05 Around
	C Type:	0.07 Around

## Outline Drawing (Size: mm)

FUGP900 Output (P/N: LB-ACH-10-10-A)



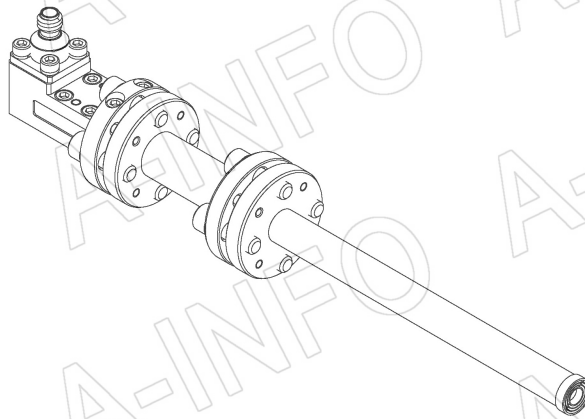
## AINFO Inc.

China(Beijing): Tel: (+86) 10-6266-7326,  
China(Chengdu): Tel: (+86) 28-8519-2786,  
USA: Tel: (+1) 949-639-9688,

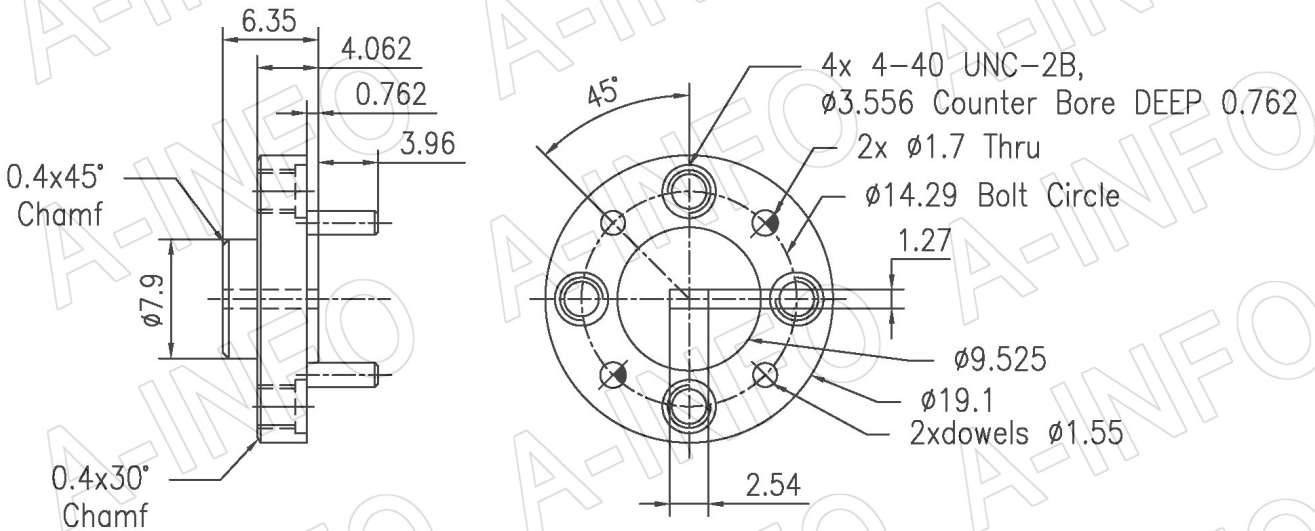
Page 1 of 17  
(+86) 10-6266-7327 Fax: (+86) 10-6266-7379  
(+86) 28-8519-3044 Fax: (+86) 28-8519-3068  
(+1) 949-639-9608 Fax: (+1) 949-639-9670

Website: [www.ainfoinc.com](http://www.ainfoinc.com)  
Email: [sales@ainfoinc.com](mailto:sales@ainfoinc.com)

## 1.0mm-Female Output (P/N: LB-ACH-10-10-C-1.0F)



## Flange Drawing (Size: mm)



FUGP900  
(equivalent to UG-387/U-M)

### AINFO Inc.

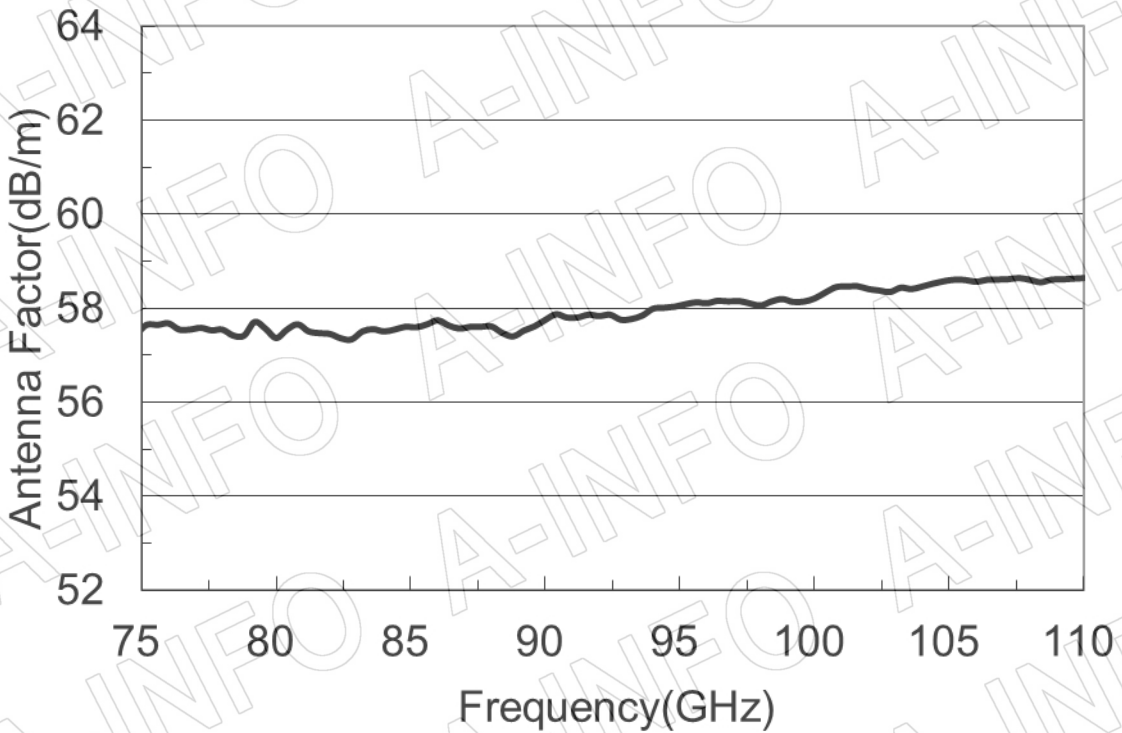
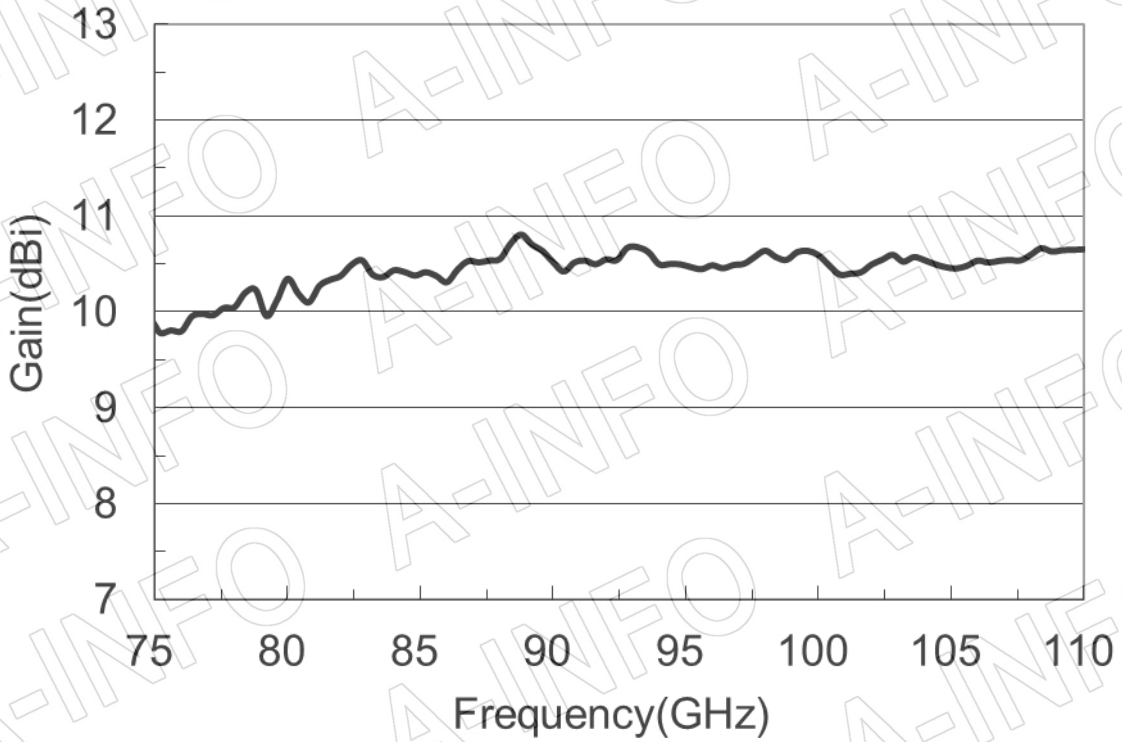
China(Beijing): Tel: (+86) 10-6266-7326,  
China(Chengdu): Tel: (+86) 28-8519-2786,  
USA: Tel: (+1) 949-639-9688,

Page 2 of 17  
(+86) 10-6266-7327 Fax: (+86) 10-6266-7379  
(+86) 28-8519-3044 Fax: (+86) 28-8519-3068  
(+1) 949-639-9608 Fax: (+1) 949-639-9670

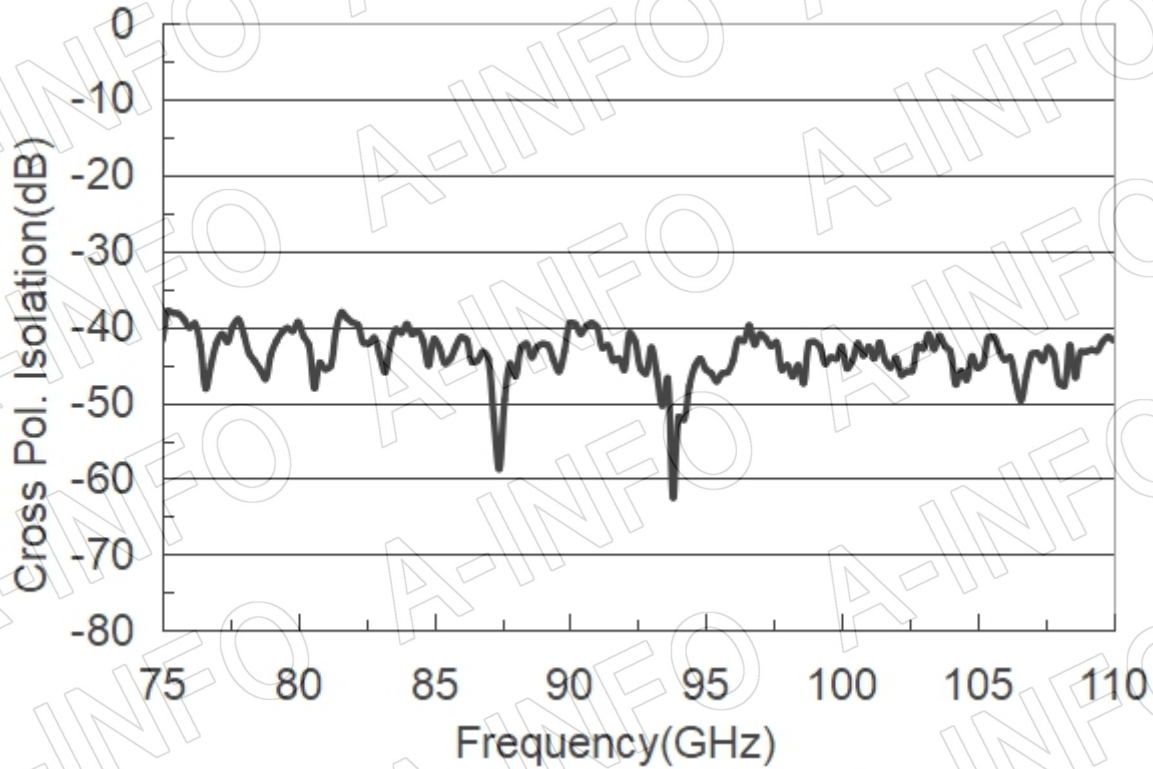
Website: [www.ainfoinc.com](http://www.ainfoinc.com)  
Email: [sales@ainfoinc.com](mailto:sales@ainfoinc.com)

## Test Results

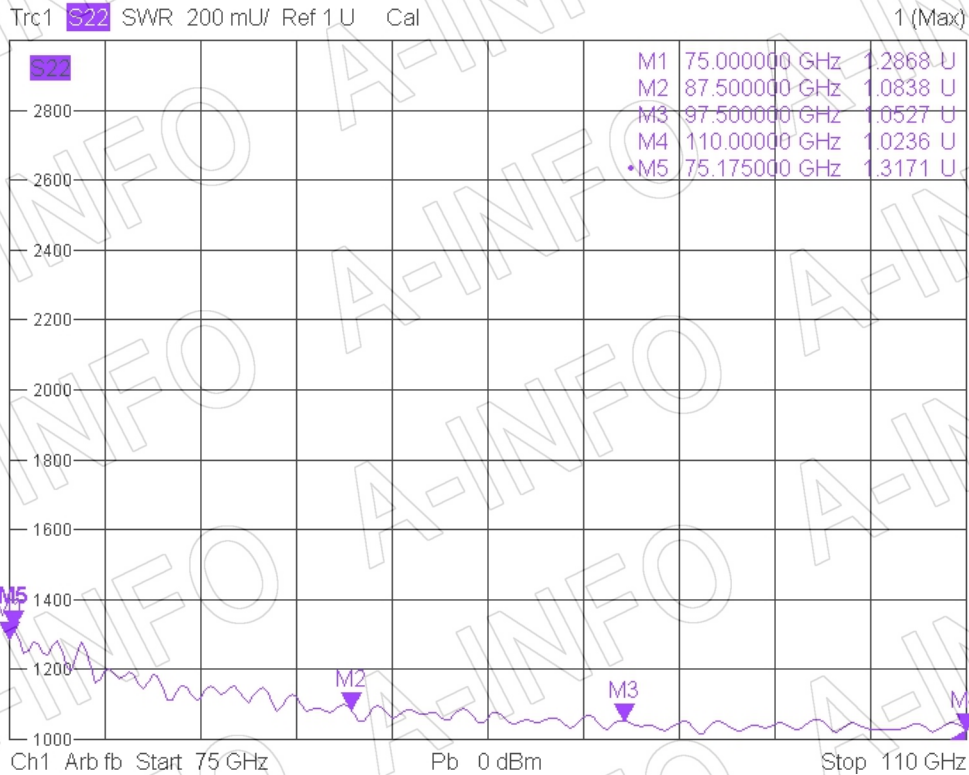
### 1. Gain & Antenna Factor



## 2. Cross Polarization Isolation

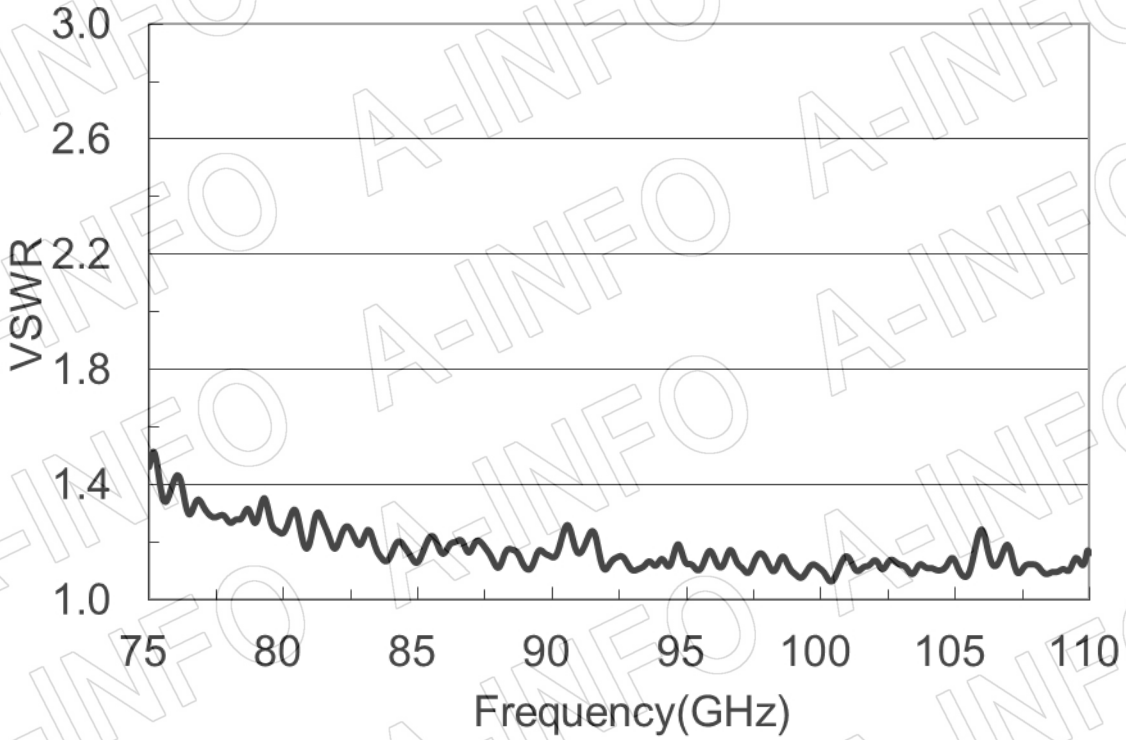


## 3. VSWR\_A Type



## VSWR\_C Type

Max: 1.5147



## 4. Pattern

